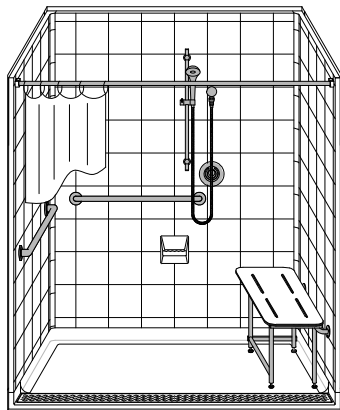
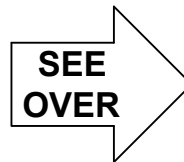


MODEL: 5LES26333A1FTT*

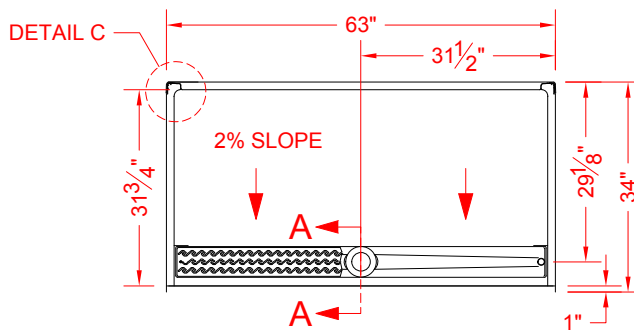
ALL ACCESSORIES OPTIONAL



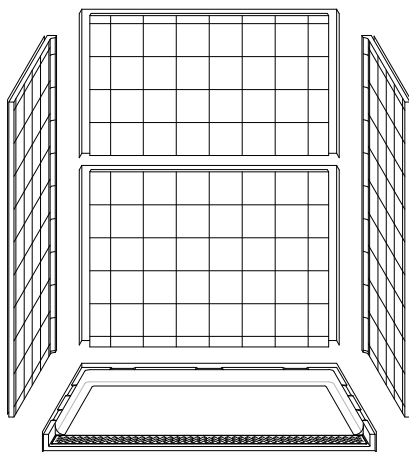
**ADA
COMPLIANT**



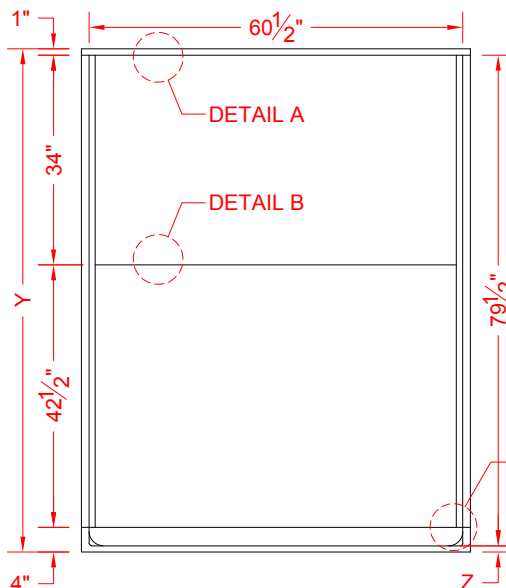
**PERSPECTIVE VIEW - N.T.S.
MODEL SHOWN HERE AS:
RIGHT PLUMBING
RIGHT SEAT**



TOP VIEW - SCALE 3/8" = 1'-0"



ASSEMBLY VIEW - N.T.S.



FRONT ELEVATION - SCALE: 3/8" = 1'-0"

Features:

- ADA compliant multi-piece roll-in shower with trench drain and stainless steel grate
- Available in various threshold heights
- Molded, five piece gelcoat/fiberglass shower module
- "Eight Inch Tile" wall finish, white (standard)
- Integral full wood backing for strength and unlimited accessory placement

*OTHER THRESHOLD HEIGHTS AVAILABLE UPON REQUEST

MODEL #	UNIT HEIGHT	THRESHOLD HEIGHT
	Y	Z*
5LES26333A1FTT	81-1/2"	1" MIN.
5LES26333A2FTT	82-1/2"	2" MAX.

* - SEE BACK FOR DETAIL SECTIONS

PRODUCT SPECIFICATIONS:

- Multi-piece shower module shall be constructed of gelcoat/fiberglass with full integral plywood backing and have a stainless steel trench drain grate.
- Rough-In: Stud opening +1/4" -0" Nominal Dimensions.

C.S.I. FORMAT SPECIFICATION TEXT AVAILABLE

PRODUCT INFORMATION:

- Accessories: Factory installed, unless prone to damage during installation/shipping. Polished chrome/satin stainless standard, others available.
- Colors: White as standard, others to match any major fixture manufacturer, also available with sprayable solid surface in many colors
- Custom curb heights, other than shown, are available (between min. and max.)

ACCESSORIES:

- INSTALLED BY OTHERS:
- Grab bar
 - Seat, folding
 - Mixing valve, pressure balanced, lever handle, preplumbed tee to supply elbow
 - Curtain and rod
 - T-Shaped Rubber WaterStopper Kit
 - Caulkless drain (included)

CODES:

- Designed and manufactured in compliance with the following standards and codes:
- A.N.S.I. Z124.2 Standards for Plastic Showers
 - I.P.C. International Plumbing Code
 - U.P.C. Uniform Plumbing Code
 - A.D.A. Accessibility Guidelines for Buildings and Facilities
 - A.N.S.I. A117.1 Accessible and Usable Buildings and Facilities

NOTICE OF LIMITATION:

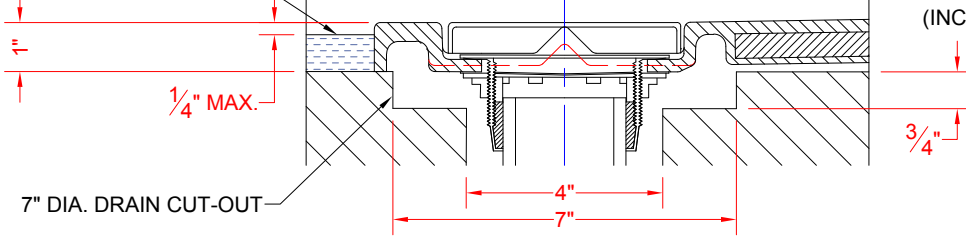


BEST BATH SYSTEMS INC.
www.best-bath.com 1-800-727-9907

We reserve the right to make revisions without notice in the design of fixtures or in packaging unless this right has specifically been waived at the time the order is accepted.

5LES26333A1FTT

BUILD UP OR RECESS TO MEET CODE

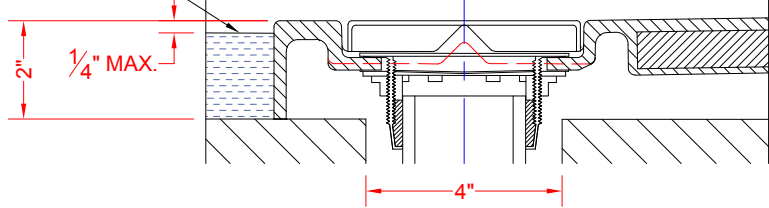


AS INSTALLED WITH SOLID BRASS,
NO-CAULK DRAIN FITTING
(INCLUDED, INSTALLED BY OTHERS)

SECTION A-A - SCALE: 3" = 1'-0"

5LES26333A2FTT

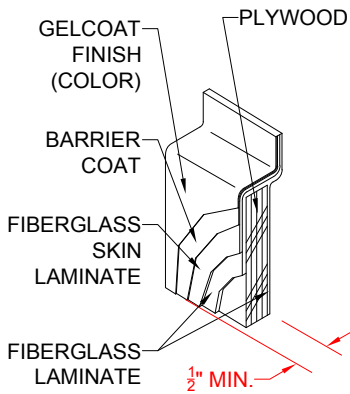
BUILD UP OR RECESS TO MEET CODE



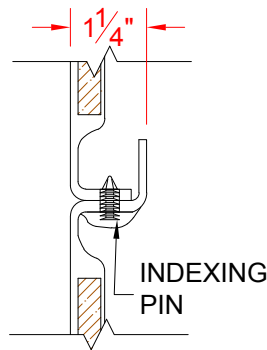
AS INSTALLED WITH SOLID BRASS,
NO-CAULK DRAIN FITTING
(INCLUDED, INSTALLED BY OTHERS)

SECTION A-A - SCALE: 3" = 1'-0"

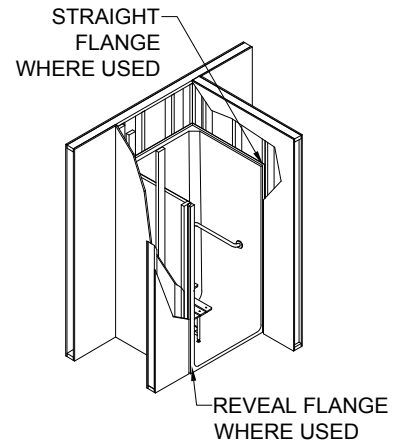
****OTHER THRESHOLD HEIGHTS AVAILABLE UPON REQUEST****



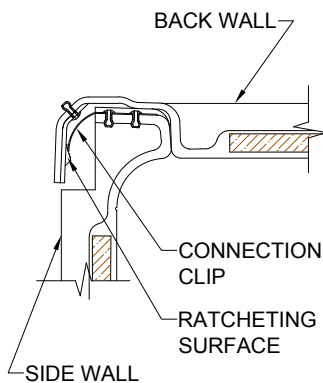
DETAIL A - SCALE: N.T.S.
WALL SECTION DETAIL



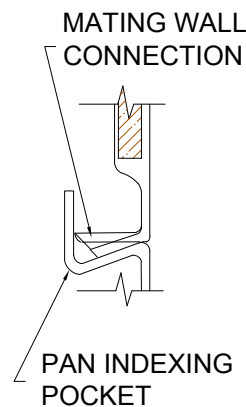
DETAIL B - SCALE: NTS
BACK WALL JOINT DETAIL



TYPICAL FRAMING



DETAIL C - SCALE: NTS
WALL JOINT DETAIL



DETAIL D - SCALE: NTS
PAN JOINT DETAIL



BEST BATH SYSTEMS INC.
www.best-bath.com 1-800-727-9907