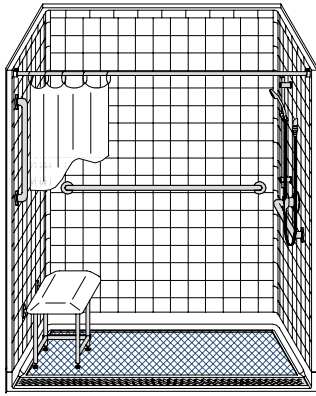


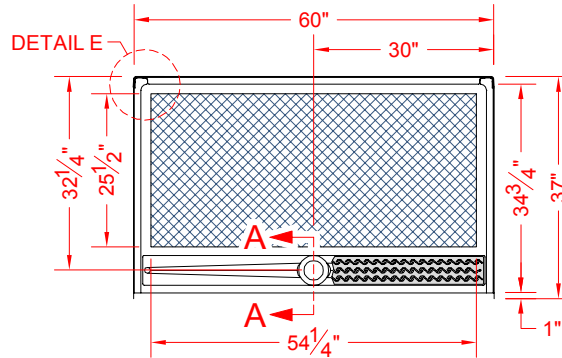
# MODEL: 5LRS26036FBDF1FTT\*

## BARRIER FREE

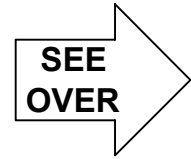
ALL ACCESSORIES OPTIONAL



PERSPECTIVE VIEW - N.T.S.

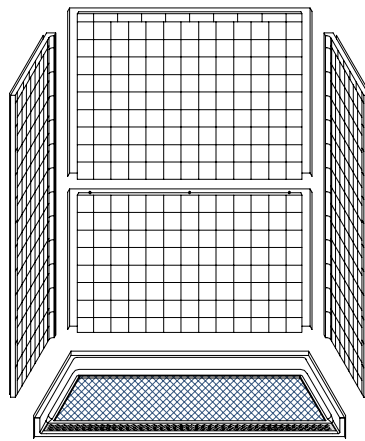


TOP VIEW - SCALE  $\frac{3}{8}'' = 1'-0''$

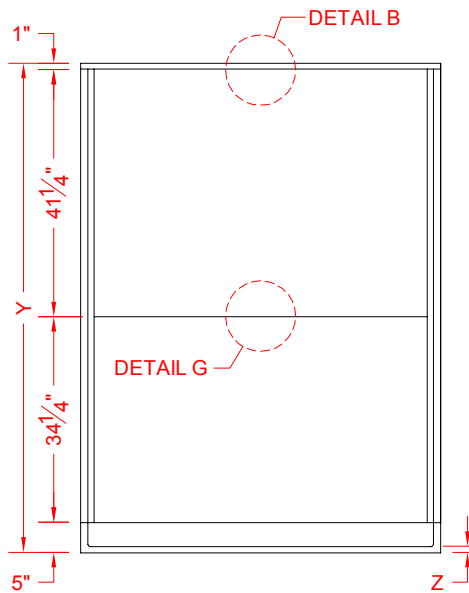


### Features:

- Molded, five-piece gelcoat/fiberglass shower module with a trench drain under a stainless steel grate.
- "Designer" floor where a  $\frac{3}{8}''$  deep recess is molded-in to accommodate tile.
- Available in various threshold heights
- "RealTile" simulated tile wall finish, white (standard)
- Integral full wood backing for strength and unlimited accessory placement
- On all threshold heights 1-1/2" or taller, no mud set is required
- On all threshold heights 1-1/4" or shorter, no mud set is required and an anchoring adhesive kit is supplied
- Flat upper back wall to avoid interference for window trim kits, grab bars, etc.



ASSEMBLY VIEW - N.T.S.



FRONT ELEVATION - SCALE:  $\frac{3}{8}'' = 1'-0''$

### \*OTHER THRESHOLD HEIGHTS AVAILABLE UPON REQUEST

MODEL #	UNIT HEIGHT	THRESHOLD HEIGHT
5LRS26036FBDF1FTT	Y	Z*
5LRS26036FBDF1FTT	81-1/2"	1" MIN.
5LRS26036FBDF2FTT	82-1/2"	2" MAX.

\* - SEE BACK FOR DETAIL SECTIONS

### PRODUCT SPECIFICATIONS:

- Multi-piece shower module shall be constructed of gelcoat/fiberglass with full integral plywood backing and have a stainless steel drain grate.
- Rough-In: Stud opening +1/4" -0" Nominal Dimensions.

C.S.I. FORMAT SPECIFICATION TEXT AVAILABLE

### PRODUCT INFORMATION:

- Accessories: Polished chrome/satin stainless standard, others available.
- Colors: White as standard, others to match any major fixture manufacturer, also available with sprayable solid surface in many colors
- Custom curb heights, other than shown, are available (between min. and max.)

### ACCESSORIES:

#### INSTALLED BY OTHERS: (OPTIONAL)

- Grab bar
- Seat, folding
- Mixing valve, pressure balanced, lever handle, preplumbed tee to supply elbow
- Curtain and rod

#### INSTALLED BY OTHERS: (INCLUDED)

- Stainless steel drain grate and hardware
- No-caulk brass drain

### CODES:

Designed and manufactured in compliance with the following standards and codes:

- A.N.S.I. Z124.2 Standards for Plastic Showers

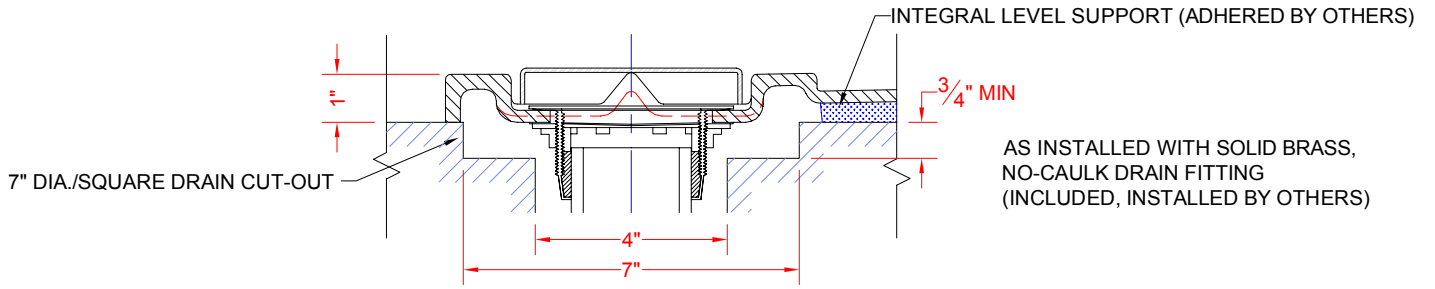
### NOTICE OF LIMITATION:

- Does not meet Uniform Plumbing Code
- Adhere to floor as required
- The molded-in floor recess must be tiled on site (by others) to function as intended.



We reserve the right to make revisions without notice in the design of fixtures or in packaging unless this right has specifically been waived at the time the order is accepted.

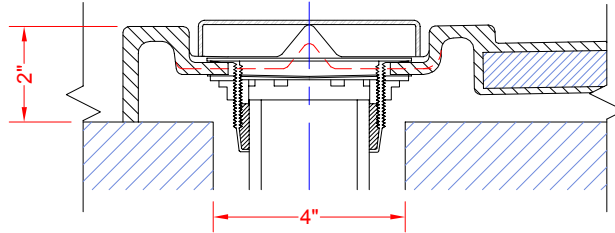
□ 5LRS26036FBDF1FTT



AS INSTALLED WITH SOLID BRASS,  
NO-CAULK DRAIN FITTING  
(INCLUDED, INSTALLED BY OTHERS)

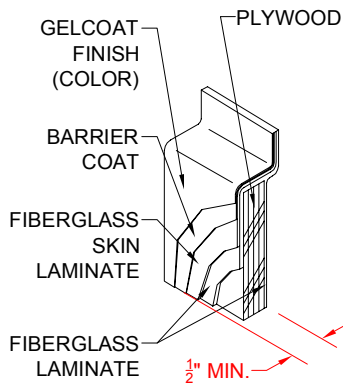
SECTION A-A - SCALE: 3" = 1'-0"

□ 5LRS26036FBDF2FTT

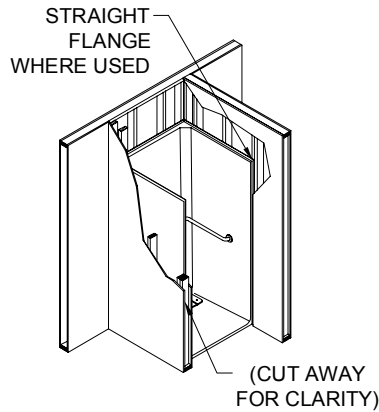


AS INSTALLED WITH SOLID BRASS  
NO-CAULK DRAIN FITTING  
(INCLUDED, INSTALLED BY OTHERS)

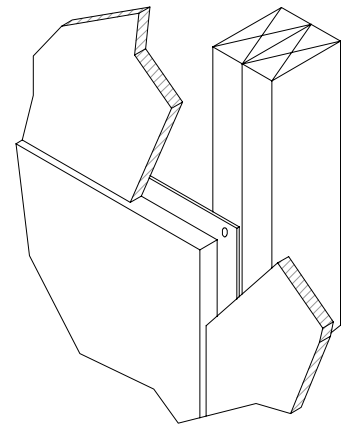
SECTION A-A - SCALE: 3" = 1'-0"



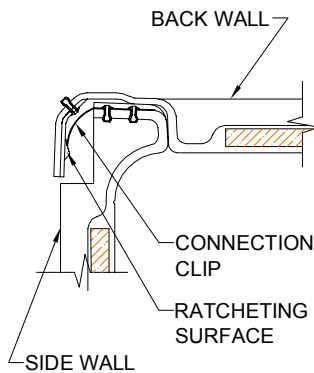
DETAIL B - SCALE: 3" = 1'-0"  
WALL SECTION DETAIL



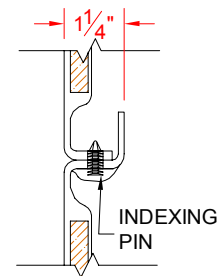
DETAIL C - SCALE: NTS  
TYPICAL FRAMING



DETAIL D - SCALE: NTS  
TYPICAL DRYWALL



DETAIL E - SCALE: NTS  
WALL JOINT DETAIL



DETAIL G - SCALE: NTS  
BACK WALL JOINT DETAIL