



division of Fiberglass Systems, Inc.

4545 Enterprise Street Boise, ID 83705

ph.: 800-727-9907 fax: 800-627-0929 www.best-bath.com

## Specifications

# Snap-in Curtain Rod Holder

AQA #22

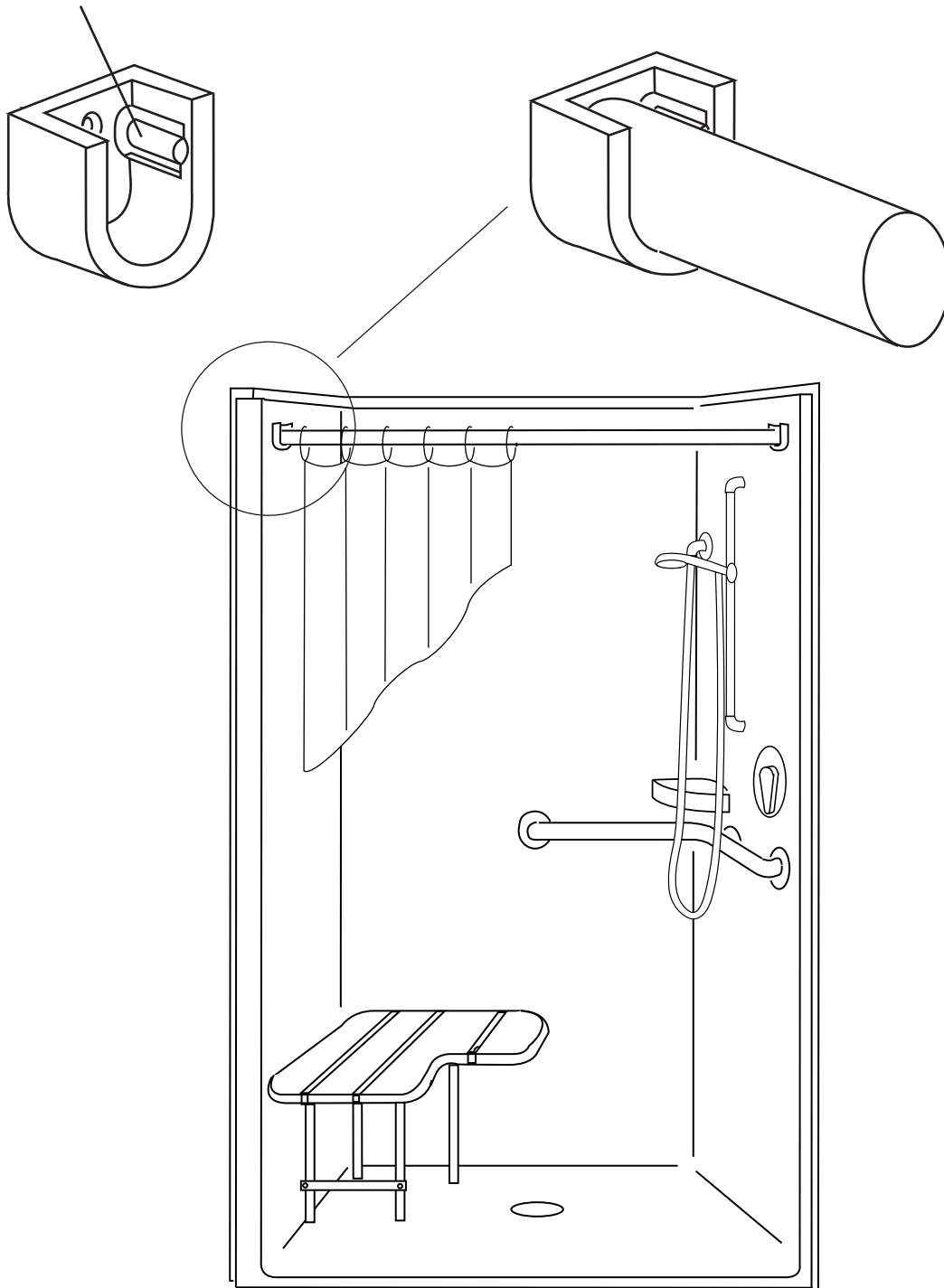
Fits: our 1" diameter stainless steel Curtain Rod

Material: Injection Molded Plastic

Color: Light Putty/Off White

Installation: 2 ea # 8 x 3/4" 316 stainless Shark-Tooth Phillips head screws

Springloaded holders keep the Curtain Rod secure while allowing instant removal





division of Fiberglass Systems, Inc.  
4545 Enterprise Street Boise, ID 83705  
ph.: 800-727-9907 fax: 800-627-0929 www.best-bath.com

## Specifications

# Curtain Rod

ROD: 20 gauge satin stainless steel, 1 " diameter

