

## Flange Trim Kit for Wing Wall



### APPLICATION:

For use as an easy way of covering the nailing flange where drywall or other wall material is already installed BEHIND a shower with a wing wall.

### ACCESSORY KIT CONTENTS:

- Back wall section
- Typical side front sections (2)
- Typical side top section
- Universal side top section
- Wing wall top section
- Loctite® Power Grab® construction adhesive
- 100% silicone

### MATERIALS & SUPPLIES NEEDED:

- Paintable latex caulk

### HOW TO INSTALL

#### Installation:

1. Measure the distance along the back wall between the drywall on each side of the shower.
2. Trim the back wall section to the correct size with a hacksaw.
3. Apply dollops of Power Grab® adhesive, approximately 3/4" tall and spaced 8" apart, to the nailing flange. Press the trim in place.
4. Repeat Steps 1–3 with the remaining sections.
5. Caulk around all edges. Use 100% silicone between shower and trim; use paintable latex between trim and drywall (Figure 3).

### TRIM SHOWN BEFORE INSTALLATION

Make sure you measure horizontal side pieces from the "step" and not from the end. See dimension A below.

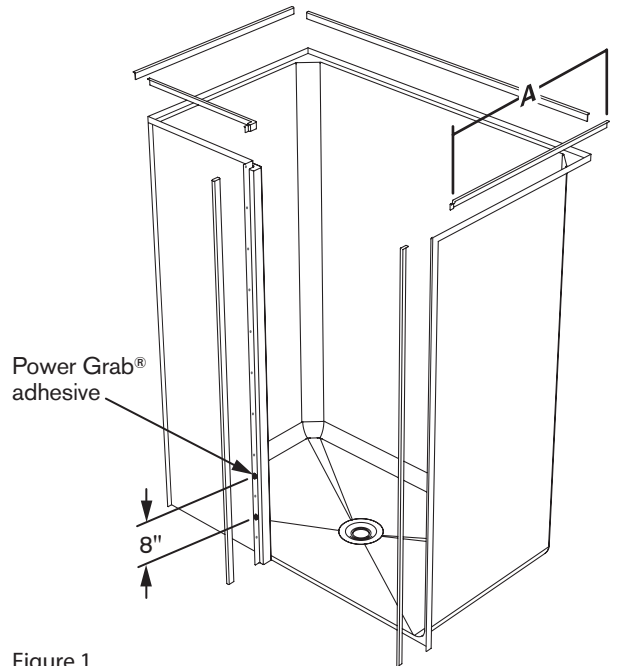


Figure 1

### TRIM CROSS-SECTION

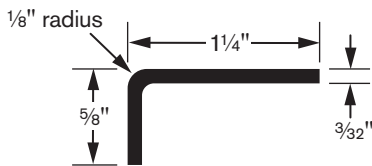


Figure 2

### TRIM CROSS-SECTION (INSTALLED)

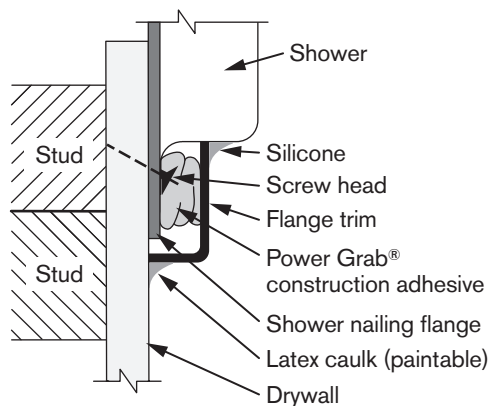


Figure 3

### LEFT WING WALL SHOWN

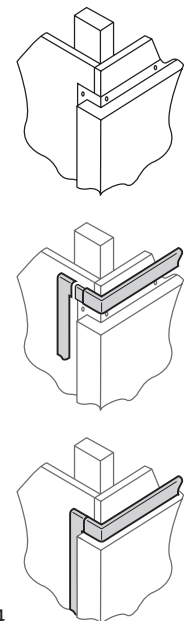


Figure 4

## Flange Trim Kit for Remodel

Part Numbers FTKR3, XFTKR3, and FTKTR3



### APPLICATION:

- For use on remodels where dry wall is either:
- cut out to install the shower (Figure 3); or
  - damaged in such a way that it will not be concealed by our narrower 1 1/4" FTK125 molding kit (Figure 4).

### ACCESSORY KIT CONTENTS:

- Back wall section
- Left front section
- Left top section
- Right front section
- Right top section
- Loctite® Power Grab® construction adhesive (2)
- 100% silicone

Kit Part Number	Shower Height
FTKR3	42" to 83"
XFTKR3	83" to 94 1/2"
FTKTR3	15" to 42"

### MATERIALS & SUPPLIES NEEDED:

- Paintable latex caulk

### HOW TO INSTALL

1. Measure the distance along the back wall between the drywall on each side of the shower.
2. Trim the back wall section to the correct size with a hacksaw.
3. Apply dollops of Power Grab® adhesive, approximately 3/4" tall and spaced 8" apart, on both the nailing flange and drywall. Press the trim in place.
4. Repeat Steps 1–3 with the remaining sections.
5. Clear away any excess adhesive, then caulk around all edges. Use 100% silicone between shower and trim; use paintable latex between trim and drywall (Figures 3 and 4).

### TRIM SHOWN BEFORE INSTALLATION

Make sure you measure horizontal side pieces from the "step" and not from the end. See dimension A below.

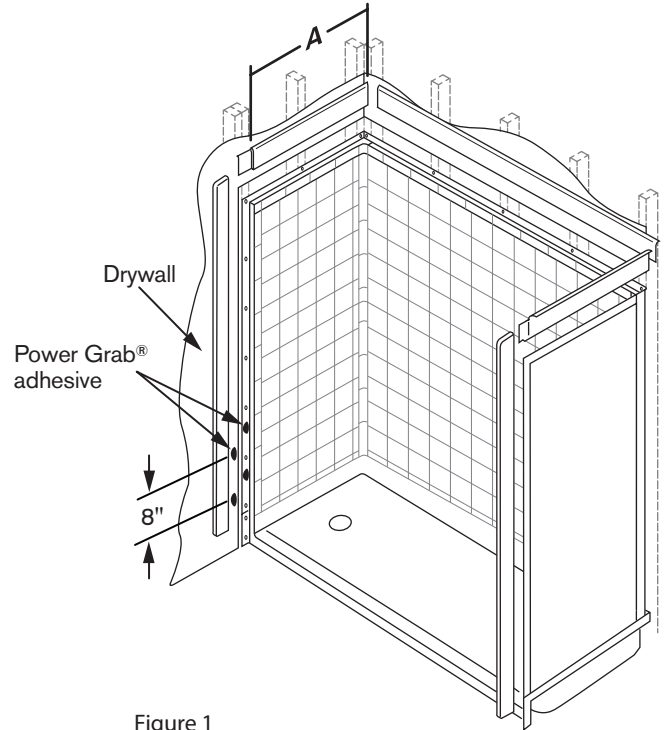


Figure 1

### TRIM CROSS-SECTION

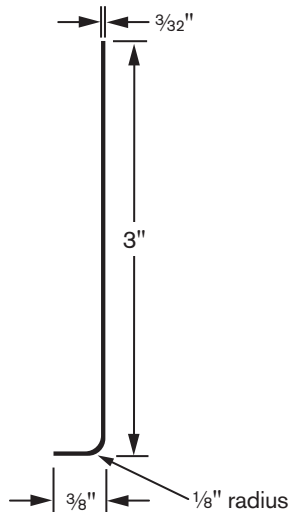


Figure 2

### TYPICAL TRIM CROSS-SECTION (INSTALLED)

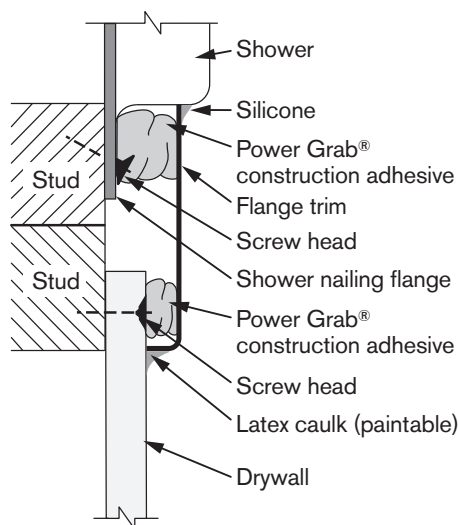


Figure 3

### NON-TYPICAL TRIM CROSS-SECTION, INSTALLED ON SHOWER OVER DAMAGED DRYWALL

Use when drywall is damaged beyond coverage with the 1 1/4" kit.

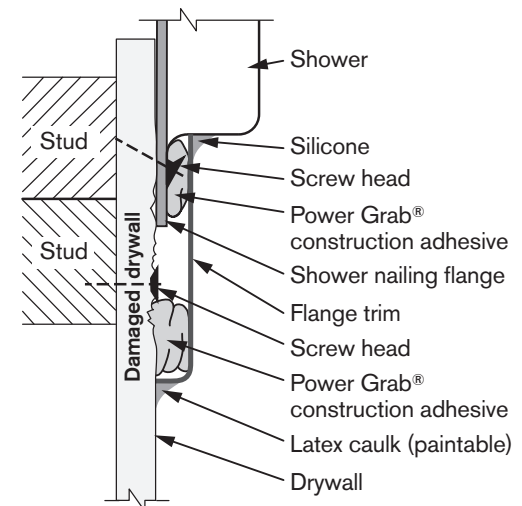


Figure 4

## Flange Trim Kit with Reveal

Part Numbers FTK125RVL and FTK125DRVL



### APPLICATION:

For use as an easy way of covering the nailing flange on showers or tub/showers with one or two reveal-type flanges where drywall or other wall material is already installed BEHIND the unit.

### ACCESSORY KIT CONTENTS:

- Non-reveal front section (2)
- Non-reveal top section
- Reveal front section (1 or 2\*)
- Reveal top section (1 or 2\*)
- Back wall section
- Loctite® Power Grab® construction adhesive
- 100% silicone

\* Doubles will have 2 sections.

Kit Part Number	Type	Shower Height
FTK125RVL	Single reveal	42" to 82¾"
XFTK125RVL	Single reveal	83" to 94½"
FTK125DRVL	Double reveal	42" to 82¾"
XFTK125DRVL	Double reveal	83" to 94½"

### MATERIALS & SUPPLIES NEEDED:

- Paintable latex caulk

### HOW TO INSTALL

#### Installation:

1. Measure the distance along the back wall between the drywall on each side of the shower.
2. Trim the back wall section to size with a hacksaw.
3. Apply dollops of Power Grab® adhesive, approximately ¾" tall and spaced 8" apart, to the nailing flange. Press the trim in place.
4. Repeat Steps 1–3 with the remaining sections.
5. Clear away any excess adhesive, then caulk around all edges. Use 100% silicone between shower and trim; use paintable latex between trim and drywall (Figure 3).

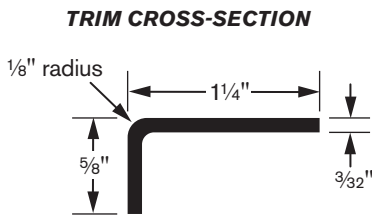


Figure 2

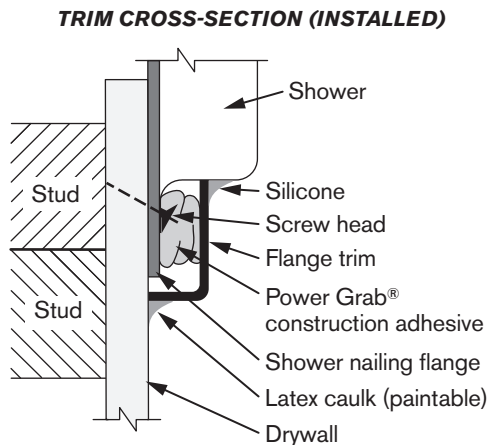


Figure 3

### TRIM SHOWN BEFORE INSTALLATION

Make sure you measure horizontal side pieces from the "step" and not from the end. See dimension A below.

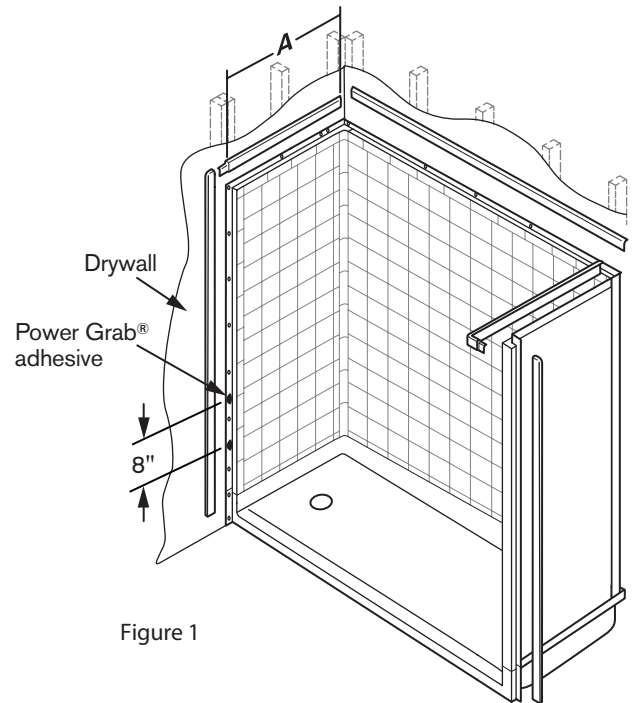


Figure 1

### RIGHT REVEAL SHOWN

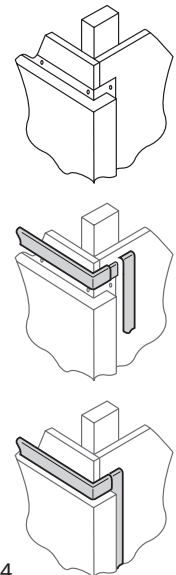


Figure 4

## Flange Trim Kit for New Construction

Part Numbers FTK125 and XFTKT125



### APPLICATION:

For use as an easy way of covering the nailing flange where drywall or other wall material is already installed BEHIND a shower or tub-shower unit.

### ACCESSORY KIT CONTENTS:

- Back wall section
- Left front section
- Left top section
- Right front section
- Right top section
- Loctite® Power Grab® construction adhesive
- 100% silicone

Kit Part Number	Shower Height
FTK125	83" or less
XFTKT125	83" to 94½"

### MATERIALS & SUPPLIES NEEDED:

- Paintable latex caulk

### HOW TO INSTALL

1. Measure the distance along the back wall between the drywall on each side of the shower.
2. Trim the back wall section to the correct size with a hacksaw.
3. Apply dollops of Power Grab® adhesive, approximately ¾" tall and spaced 8" apart, to the nailing flange. Press the trim in place.
4. Repeat Steps 1–3 with the remaining sections.
5. Clear away any excess adhesive, then caulk around all edges. Use 100% silicone between shower and trim; use paintable latex between trim and drywall (Figure 3).

**TRIM SHOWN BEFORE INSTALLATION**  
 Make sure you measure horizontal side pieces from the "step" and not from the end. See dimension A below.

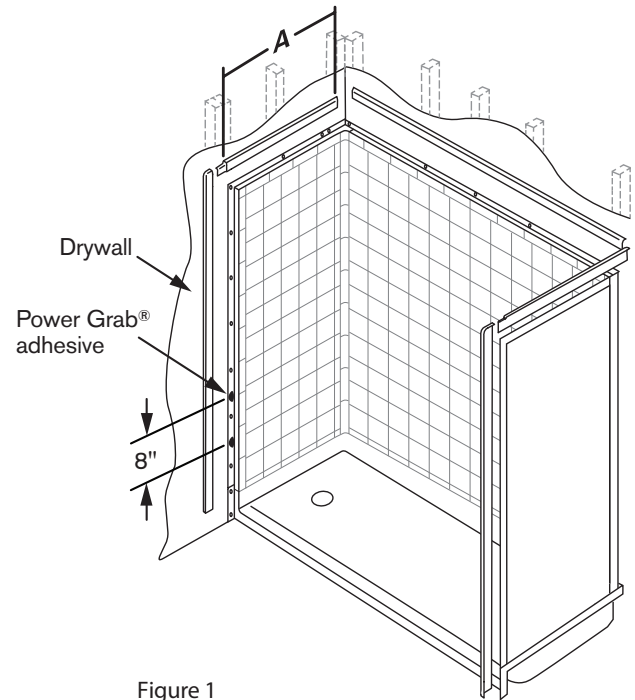


Figure 1

### TRIM CROSS-SECTION

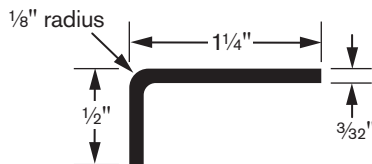


Figure 2

### TRIM CROSS-SECTION (INSTALLED)

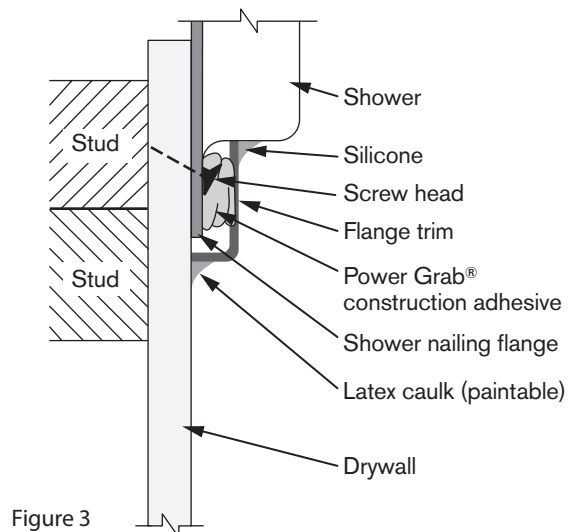


Figure 3