



division of Fiberglass Systems, Inc.

4545 Enterprise Street Boise, ID 83705

ph.: 800-727-9907 fax: 800-627-0929 www.best-bath.com

## Installation Instructions Specifications

### Curtain Rod Kit for model LNSS3838CP

**CRKLN3838**

#### Shower Curtain Rod Kit# CRKLN3838

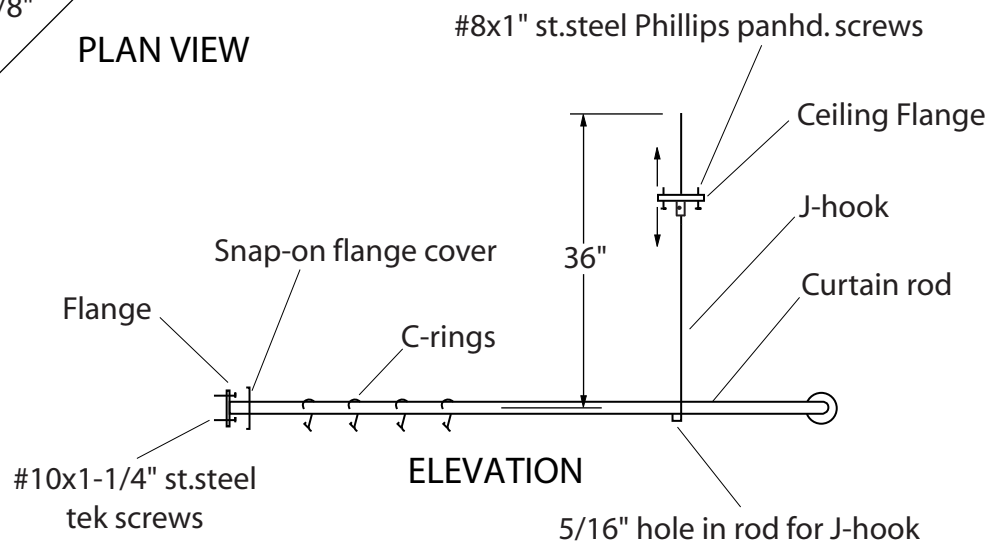
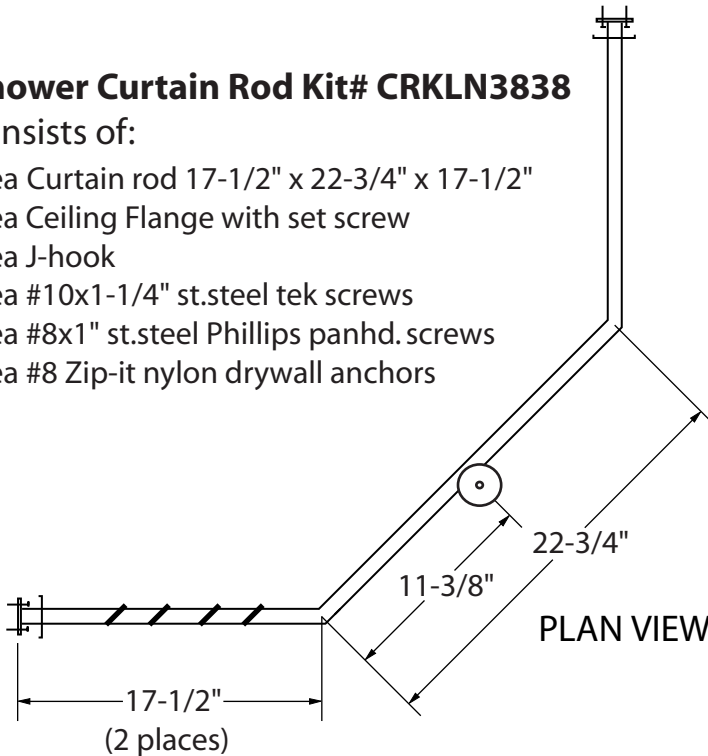
consists of:

- 1 ea Curtain rod 17-1/2" x 22-3/4" x 17-1/2"
- 1 ea Ceiling Flange with set screw
- 1 ea J-hook
- 6 ea #10x1-1/4" st. steel tek screws
- 2 ea #8x1" st. steel Phillips panhd. screws
- 2 ea #8 Zip-it nylon drywall anchors

#### Specifications

Curtain rod, 1" diam. x 20 gauge brushed stainless steel 17-1/2" x 22-3/4" x 17-1/2" with welded, concealed flanges with snap-on covers.

Ceiling Flange with set screw for adjustable height, holding a J-hook (1/4" x 36" aluminum rod)



#### Installation

Tools needed:

Screw gun, Phillips head bit, Pencil, Tape measure, Hacksaw, 1/8" Allen wrench

1. Attach the curtain rings to the rod.
2. Attach the curtain to the rings.
3. Hold the rod on the wall so that the curtain is 1/2" below that part of the shower curb where it will be hanging.
4. Mark the position of the curtain rod and remove the curtain from the curtain rod.
5. Install the curtain rod, making sure the hole in the corner is facing down.
6. Measure the distance from the bottom of the curtain rod (near the wall) to the ceiling and cut the J-hook accordingly.
7. Position the J-hook in the hole in the curtain rod and mark the ceiling, while making sure the J-hook is plumb.
8. Install the mounting flange in the ceiling with the Zip-it drywall anchors and the stainless steel sheet metal screws (included).
9. Slide the J-hook into the mounting flange and with the curtain rod level, tighten the set screw.



division of Fiberglass Systems, Inc.

4545 Enterprise Street Boise, ID 83705

ph.: 800-727-9907 fax: 800-627-0929 www.best-bath.com

## Installation Instructions Specifications

### Curtain Rod Kit for models 3LEN4242B75B and 3LEN4242

**CRKN4242**

#### Shower Curtain Rod Kit# CRKN4242

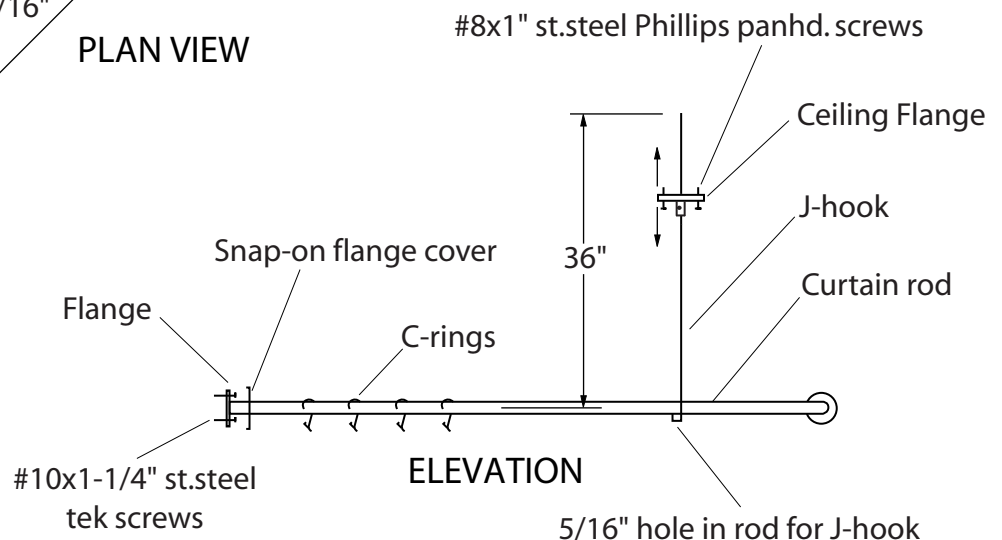
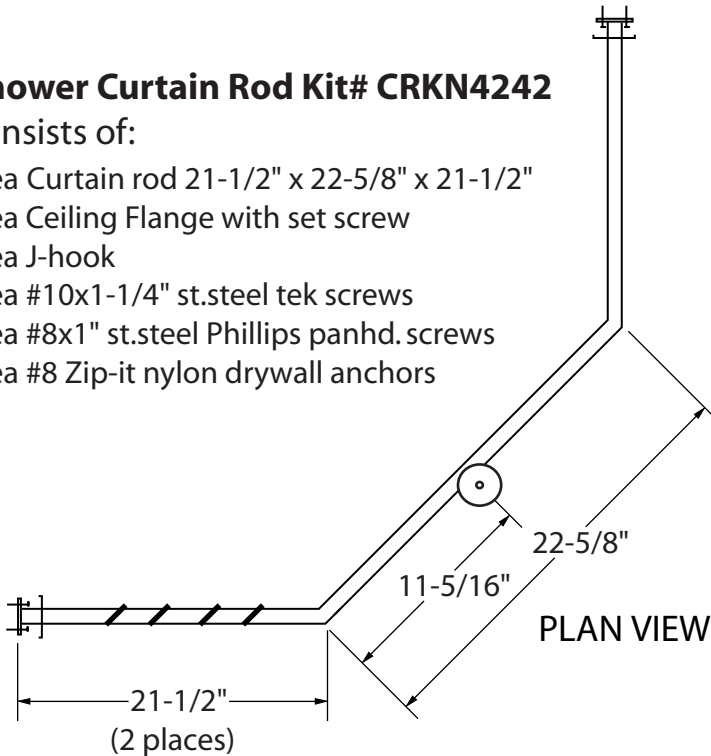
consists of:

- 1 ea Curtain rod 21-1/2" x 22-5/8" x 21-1/2"
- 1 ea Ceiling Flange with set screw
- 1 ea J-hook
- 6 ea #10x1-1/4" st. steel tek screws
- 2 ea #8x1" st. steel Phillips panhd. screws
- 2 ea #8 Zip-it nylon drywall anchors

#### Specifications

Curtain rod, 1" diam. x 20 gauge brushed stainless steel 21-1/2" x 22-5/8" x 21-1/2" with welded, concealed flanges with snap-on covers.

Ceiling Flange with set screw for adjustable height, holding a J-hook (1/4" x 36" aluminum rod)



#### Installation

Tools needed:

Screw gun, Phillips head bit, Pencil, Tape measure, Hacksaw, 1/8" Allen wrench

1. Attach the curtain rings to the rod.
2. Attach the curtain to the rings.
3. Hold the rod on the wall so that the curtain is 1/2" below that part of the shower curb where it will be hanging.
4. Mark the position of the curtain rod and remove the curtain from the curtain rod.
5. Install the curtain rod, making sure the hole in the corner is facing down.
6. Measure the distance from the bottom of the curtain rod (near the wall) to the ceiling and cut the J-hook accordingly.
7. Position the J-hook in the hole in the curtain rod and mark the ceiling, while making sure the J-hook is plumb.
8. Install the mounting flange in the ceiling with the Zip-it drywall anchors and the stainless steel sheet metal screws (included).
9. Slide the J-hook into the mounting flange and with the curtain rod level, tighten the set screw.