

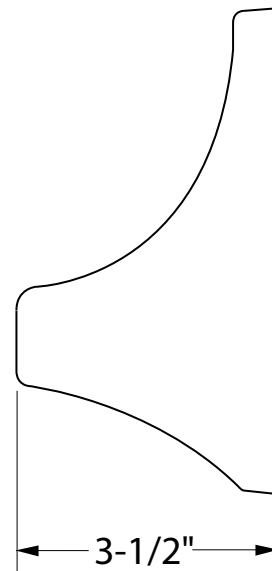
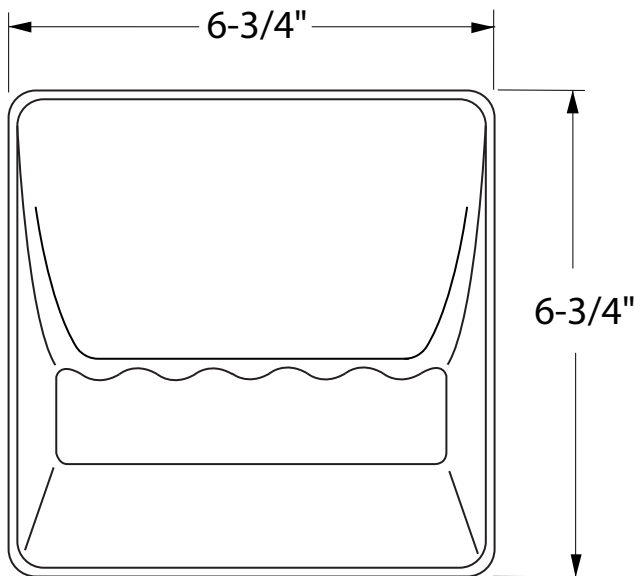
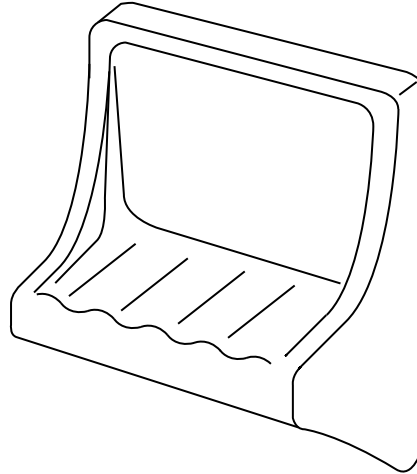


division of Fiberglass Systems, Inc.
4545 Enterprise Street Boise, ID 83705
ph.: 800-727-9907 fax: 800-627-0929 www.best-bath.com

Specifications

Soap Dish Surface Mount

SMF



Specifications:

- Solid cast polyurethane
- Finish is gelcoat color matched to shower
- Installed with adhesive
- Joint is caulked at mating surface with shower wall